

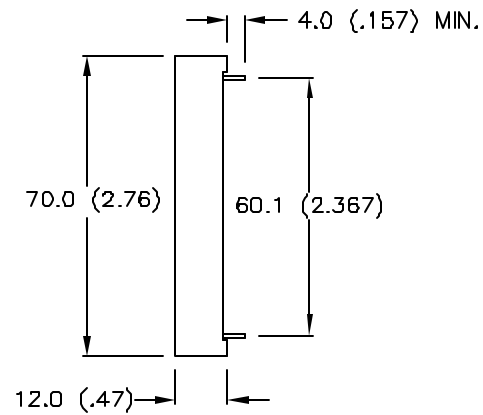
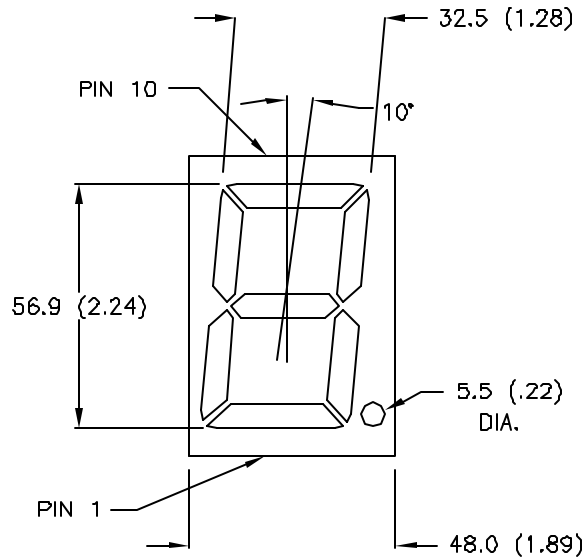
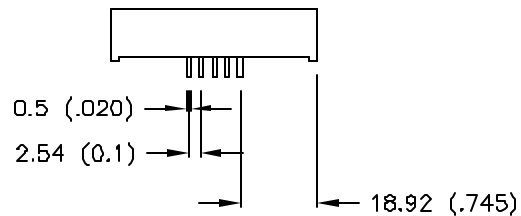
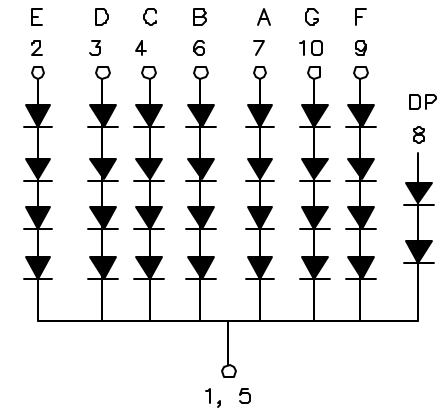
DATE

REVISIONS

REV

DRAWING NUMBER
LDS-CD16RI

REV

*UNCONTROLLED DOCUMENT*

| COLORS | $T_A=25^\circ\text{C}$ ABSOLUTE MAXIMUM RATINGS PER LED CHIP | | | | | | $T_A=25^\circ\text{C}$ ELECTRO-OPTICAL CHARACTERISTICS | | | | | |
|--------|---|----|-----|-----|------|--------------------------|---|-----------|-----------|-----------|-----|-----|
| | VR | IF | IFP | PD | TOPR | IF | VF TYP | VF MAX | IV TYP | IR MAX | IP | |
| FONT | SEGMENT | V | mA | mA | mW | $^\circ\text{C}$ | mA | V | V | ucd | uA | nm |
| RED | | 5 | 30 | 150 | 100 | -40~+85 $^\circ\text{C}$ | 10 | 6.8 | 8.8 | 22.5K | 100 | 660 |
| GRAY | WHITE | | | | | | | | | | | |

NOTES:

- ALL DIMENSIONS ARE IN MILLIMETERS (INCHES). TOLERANCE IS 0.25 (0.01") UNLESS OTHERWISE SPECIFIED.
- IV TESTED CONDITION IF=10mA AND THE LISTED IV IS THE AVERAGE INTENSITY FOR EVERY SEGMENT LISTED.

LUMEX
OPTO COMPONENTS INC.

290 E. HELLEN ROAD
PALATINE, ILLINOIS 60067
(847) 359-2790

CONFIDENTIAL INFORMATION
THE INFORMATION CONTAINED IN THIS DOCUMENT IS THE PROPERTY OF LUMEX OPTO/COMPONENTS, INC. EXCEPT AS SPECIFICALLY AUTHORIZED IN WRITING BY LUMEX OPTO/COMPONENTS, INC., THE HOLDER OF THIS DOCUMENT SHALL KEEP ALL INFORMATION CONTAINED HEREIN CONFIDENTIAL AND SHALL PROTECT SAME IN WHOLE OR IN PART FROM DISCLOSURE AND DISSEMINATION TO ALL THIRD PARTIES.

| | | | |
|---------------|------|--------|-------|
| DATE: 3-25-97 | DWN: | CHK'D: | APPD: |
| SCALE: N/A | | | |

2.3" RED SEVEN SEGMENT DISPLAY

PAGE 1 OF 1

DRAWING NUMBER
LDS-CD16RI

REV

UNCONTROLLED DOCUMENT